

PRODUCT CATALOG



AUTOMOTIVE



**INDUSTRIAL
HEAVY DUTY**



FASTENER

MARINE/RECREATIONAL



AGRICULTURAL

Table of Contents

Dyna Series Gasket Makers ***Pg. 3-4***

DynaCopper Silicone Gasket Maker
DynaGrey Silicone Gasket Maker
DynaBlack Silicone Gasket Maker
DynaPlus Fast Cure Gasket Maker

Traditional Gasket Makers ***Pg. 5-6***

Black Silicone Gasket Maker
Red Hi-Temp Silicone Gasket Maker
Blue Silicone Gasket Maker
Purple Anaerobic Gasket Maker « NEW »
Anaerobic Gasket Maker
Copper Gasket Spray Adhesive/Sealant « NEW »
Hi-Tack Gasket Spray
Gasket Remover

Tractor/Trailer Maintenance ***Pg. 7-8***

Repair Foam
5th Wheel Advanced Grease
GTX Seam Sealer
GTX HS 2500 Trailer Sealant « NEW »
GTX Ultra 500 Trailer Sealant « NEW »
GTX Trailer Repair Sealant « NEW »

Sealants/Adhesives ***Pg. 9***

Industrial Grade Silicone Sealants
Mildew Resistant Silicone Sealant
School Bus Yellow Sealant/Adhesive « NEW »
Clear Silicone Adhesive Sealant
Marine Grade Silicone Sealant

Repair Adhesives, Epoxies ***Pg. 10***

Auto Seam Sealant
Brush-On Electrical Tape
Muffler & Tailpipe Sealant
Black/ Yellow Weatherstrip Adhesive
4-Minute Steel Epoxy « NEW »
4-Minute Clear Epoxy « NEW »

Epoxies (Cont.) ***Pg. 11***

4-Minute Epoxy
5-Minute Epoxy
30-Minute Epoxy
Multi Metal Epoxy
Plastic Weld Epoxy

Super Glue/Adhesives ***Pg. 12***

Rubber Adhesive
Rubber Toughened Adhesive
Super Glue
Super Glue Gel
Rear View Mirror Adhesive
General Purpose Spray Adhesive

Anaerobic Threadlockers ***Pg. 13, 14, 15***

Blue Medium Strength Threadlocker
Blue Medium Strength Threadlocker Gel
Red High Strength Threadlocker
Red High Strength Threadlocker Gel
Green Wicking Grade Threadlocker
Green High Strength SleeveLocker
Red Hi-Strength Threadlocker (HD) « NEW »
Purple Low Strength Threadlocker
Purple Hydraulic/Pneumatic Sealant « NEW »
Threadlocker Primer

Pipe/Thread Sealants ***Pg. 16***

Pipe Sealant with PTFE
Thread Sealant with PTFE

Lubricants ***Pg. 16***

Anti-Seize
Silicone Spray Lubricant
Copper Anti-Seize
Nickel Anti-Seize
Transmission Assembly Lube

Specialty Greases ***Pg. 17***

White Lithium Grease
Motor Assembly Grease
Red Grease
Dielectric Grease
Heat Transfer Compound
Wheel Bearing Grease

Brake Maintenance ***Pg. 18***

Brake & Caliper Lubricant
Brake System Silicone Compound
Ceramic Disc Brake Grease
Disc Brake Quiet
Non-Chlorinated Brake & Parts Cleaner

Aerosols ***Pg. 19-20***

Battery Terminal Cleaner w/Acid Detector
Battery Terminal Protector
Carb & Choke Cleaner
Electrical Parts Cleaner
Penetrating Oil
Contact Cleaner
Engine Degreaser
Rubberized Undercoating
Belt Dressing
Glass Cleaner

Hand Cleaners ***Pg. 21***

Dual Sided Abrasive Wipes
All Purpose Hand Cleaner

Why Dynatex?

"We look through the eyes of our customers to exceed their expectations."



Dynatex® has provided top quality products since 1970. Located in Elizabethtown, Kentucky, we manufacture and package sealants, adhesives and maintenance products for the Automotive, Heavy Duty, Fastening, Industrial and Marine industries. As part of the Soudal group, Dynatex remains committed to our customers through innovation, state of the art manufacturing, product R&D and world class customer service. Visit us at www.dynatex.net for a full listing of our first-class products.

Dyna Series Gasket Makers

Dynatex® DynaCopper® Silicone Gasket Maker

DynaCopper® RTV Silicone Hi-Temp Gasket Maker is a low volatile, high temperature, advanced formula material. Safe for use on vehicles equipped with oxygen sensors and all other vehicles. DYNACOPPER® RTV Silicone Gasket Maker is oil resistant, highly flexible, will not leak, and is temperature resistant up to 700°F (371°C) intermittent. Improves engine sealing applications. Will withstand elevated temperatures of late model engines.

- Oxime
- Low Odor/Non-Corrosive
- Meets OEM Specs
- 700°F
- Oil resistant
- O² Sensor Safe

Suggested Applications:

Timing covers, thermostat housings, oil pans, water pumps, valve covers, and exhaust manifolds/headers.

Part No.	Item No.	Container Size	Pack
143336	47101	85g Tube, Carded	12



Dynatex® DynaBlack® Silicone Gasket Maker

DynaBlack® is a low odor, sensor safe, non-corrosive RTV form in place gasketing compound for pressed pan and mechanical assemblies. Remains flexible through thermal cycling; excellent resistance to oil, water and antifreeze/coolant. Temperature range - 85°F to 500°F.

- Oil resistant
- O² sensor safe
- Non-corrosive
- Low odor
- Fast curing
- Will not leak

Suggested Applications:

Valve covers, transmission pans, oil pans, timing & differential covers, intake end seals and thermostat housings.

Part No.	Item No.	Container Size	Pack
143355	47200	85g Tube, Carded	12
143356	47201	8 Oz. Auto Can	12
143357	47202	300ml Cartridge	12



Dynatex® DynaGrey® Silicone Gasket Maker

DynaGrey® is a low odor, sensor safe, non-corrosive silicone gasketing compound. Designed for high torque applications. Remains flexible through thermal cycling and provides excellent resistance to oil, water and antifreeze/coolant. Temperature range - 85°F to 500°F.

- Oil resistant
- Manufactured to meet OEM specs
- O² sensor safe
- Low odor
- Non-corrosive
- Fast curing
- Will not leak

Suggested Applications:

Valve covers, transmission pans, oil pans, timing & differential covers, intake end seals and thermostat housings.

Part No.	Item No.	Container Size	Pack
143349	47181	85g Tube, Carded	12
143351	47182	8 Oz. Auto Can	12
143352	47183	300ml Cartridge	12



Dynatex® DynaPlus® Fast Cure Gasket Maker

DynaPlus® is a low odor, sensor safe, non-corrosive, neutral cure, elastomeric form in place rubber gasket maker. It was uniquely formulated to provide a quicker cure time and excellent adhesion for a quicker return to service. It has increased resistance to water, antifreeze/coolant, transmission fluid and engine oil. Temperature resistant up to 500°F.

- Manufactured to meet OEM specs
- O² sensor safe
- Non-corrosive
- Low odor

Suggested Applications:

Valve covers, gearbox & differential covers, oil pans, transmission pans, water pumps and other automotive gasketing.

Part No.	Item No.	Container Size	Pack
143358	47205	5 Fl. Oz. Cartridge	6
143359	47206	6.75 Oz. Auto Can	6



Dyna Series Gasket Makers

DYNASERIES

The DYNASERIES is available in a variety of packaging options: Blistercarded tubes, 8oz. auto cans, and up to 300 mL cartridges. The DYNASERIES combines performance and versatility to meet the needs of its users in a variety of applications!

PRODUCT TYPE	COMPETITOR OXIME	DYNATEX DYNAGREY OXIME	COMPETITOR OXIME	DYNATEX DYNAPLUS OXIME	DYNATEX DYNABLACK OXIME
APPEARANCE	SLIGHTLY GRAINY	SMOOTH	SMOOTH	SMOOTH	SMOOTH
COLOR	GREY	GREY	BLACK	BLACK	BLACK
SPECIFIC GRAVITY	1.46	1.35	1.35	1.36	1.42
EXTRUSION RATE (G/MIN.)	414	347	54	122	375
SLUMP (IN.)	0	0	0	0	0
SKIN OVER TIME (MIN.)	5	5	3	3	
TACK FREE TIME (MIN.)	38	33	12		
VOLATILES (%)	5.99	3.04			3.2
NON-VOLATILES (%)	94.01	96.96			
OIL GEL TEST			PASS	PASS	PASS
SHORE "A"	66	47	39	40	
TENSILE STRENGTH (PSI)	420	294	368	354	209
ELONGATION (%)	161	387	574	491	307
MODULUS (PSI)	311	142	136	152	
336 Hours Immersion in SW30 at 150 °F					
CHANGE IN VOLUME (%)	1.99	2.87	9	6	10
CHANGE IN TENSILE STRENGTH (%)	-34.79	-37.75	-17	-28	-60
CHANGE IN ELONGATION (%)	-35.25	-35.65	-24	-23	-54
CHANGE IN SHORE "A"	-27.42	-10.63			
70 Hours immersion in ASTM #3 Oil At 150 °C					
CHANGE IN VOLUME (%)	3.63	4.06	5	5	2.07
CHANGE IN TENSILE STRENGTH (%)	-43.81	-31.97	-32	-29	-30.43
CHANGE IN ELONGATION (%)	-46.58	-33.07	-24	8	-32.3
CHANGE IN SHORE "A"	-30.30	-21.27			-22.86
Heat Aging: 168 Hours at 175 °F					
CHANGE IN TENSILE STRENGTH (%)	8.23	8.75	-4	-6	9.45
CHANGE IN ELONGATION (%)	-37.52	-24.29	-35	-28	-34.65

PRODUCT TYPE	COMPETITOR OXIME	DYNATEX DYNACOPPER OXIME
COLOR	METALLIC COPPER	COPPER
SPECIFIC GRAVITY	1.06	1.05
EXTRUSION RATE (G/MIN.)	352	287
SLUMP (IN.)	0	0
SKIN OVER TIME (MIN.)	4	4
TACK FREE TIME (MIN.)	31	38
SHORE "A"	31	31
TENSILE STRENGTH (PSI)	327	319
ELONGATION (%)	420	476
MODULUS (PSI)	105	74
Heat Aging: 100 Hours at 450 °F		
SHORE "A"	24	23
TENSILE STRENGTH	195	207
ELONGATION (%)	384	386
MODULUS (PSI)	61	49
Heat Aging: 336 Hours at 450 °F		
SHORE "A"	22	21
TENSILE STRENGTH	228	221
ELONGATION (%)	391	349
MODULUS (PSI)	69	43
Heat Aging: 1 Hours at 600 °F		
SHORE "A"	17	15
TENSILE STRENGTH	110	118
ELONGATION (%)	276	255
MODULUS (PSI)	44	38
Heat Aging: 1 Hours at 700 °F		
SHORE "A"	36	42
TENSILE STRENGTH	130	111
ELONGATION (%)	66	56



All testing performed by Soudal in Soudal Research and Development Lab. Competitive testing is not meant for creation of specifications.

Traditional Gasket Makers

Dynatex® Black RTV Silicone Gasket Maker

Dynatex® Black is an RTV silicone gasket maker manufactured to meet OEM specifications. Resists oil, water, anti-freeze, transmission fluid and withstands the harsh conditions of differentials and transfer cases. Temperature resistant up to 500°F.

- Oil resistant
- Will not leak
- Remains flexible
- Make any gasket instantly

Suggested Applications:

Valve covers, transmission pans, oil pans, timing gear covers, differential covers.

Part No.	Item No.	Container Size	Pack
143364	49200	85g Tube, Carded	12
144334	49271	8 Oz. Auto Can	12
143393	49290	300ml Cartridge	12



Dynatex® Purple Anaerobic Gasket Maker

Dynatex® Anaerobic Gasket Maker can replace or be used as a dressing for conventional gaskets. Use on vacuum pump flanges, fuel pumps, water pumps, gearbox covers, automotive and truck axle covers. Once cured has an operating temperature range of -65°F to 300° F. (515/518 Loctite® functional equivalent)

- No Mixing
- Maintains Flexibility
- Noncorrosive to Aluminum or Cast Iron Parts
- No Curing Outside Joint

Suggested Applications:

Vacuum pump flanges, fuel pumps, water pumps, gearbox covers, automotive and truck axle covers.

Part No.	Item No.	Container Size	Pack
143464	49479	300ml Cartridge	6



Dynatex® Red Hi-Temp Silicone Gasket Maker

Dynatex® Red is an RTV silicone gasket maker manufactured to meet OEM specifications. Formulated to withstand higher temperatures and will not leak. Resists water, oil, and antifreeze/coolant and the harsh conditions of gear oil. Temperature resistant up to 650°F.

- Oil resistant
- Will not leak
- Remains flexible
- Make any gasket instantly

Suggested Applications:

Valve covers, oil pans, timing covers, water pumps, thermostat housings.

Part No.	Item No.	Container Size	Pack
143367	49202	85g Tube, Carded	12
143374	49272	8 Oz. Auto Can	12
143396	49292	300ml Cartridge	12



Dynatex® Blue RTV Silicone Gasket Maker

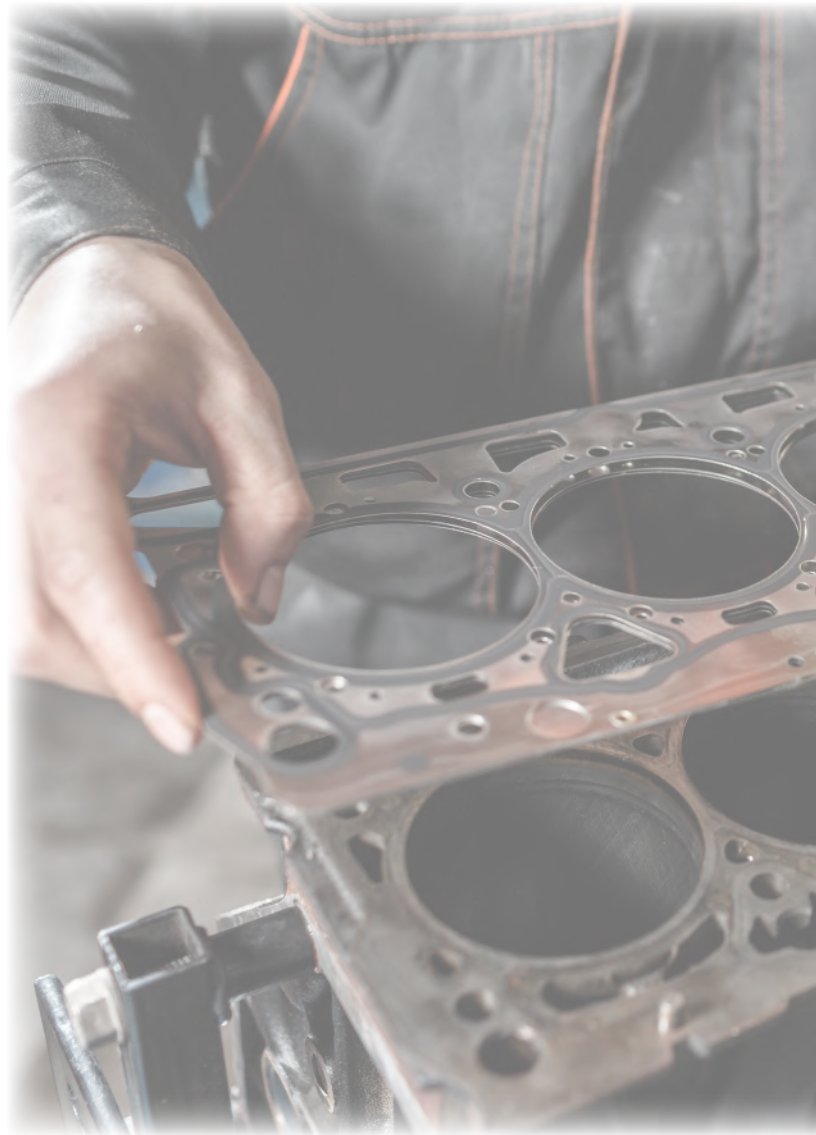
Dynatex® Blue is a RTV silicone gasket maker manufactured to meet OEM specifications. Formulated to prevent cracking, shrinking and migration caused by thermal expansion. Resists water, oil, antifreeze/coolant and the harsh conditions of gear oil. Temperature resistant up to 500°F.

- Oil resistant
- Will not leak
- Remains flexible
- Make any gasket instantly

Suggested Applications:

Valve covers, oil pans, timing covers, differentials and transfer cases.

Part No.	Item No.	Container Size	Pack
143369	49203	85g Tube, Carded	12
143378	49276	8 Oz. Auto Can	12
143399	49293	300ml Cartridge	12



Traditional Gasket Makers

Dynatex® Anaerobic Gasket Maker

Provides a tough, resilient, solvent and temperature resistant seal that flexes with flange movement caused by vibration, pressurization or thermal changes all while retaining flexibility for proper gasketing. Non-corrosive to aluminum and cast iron. No curing outside of joint.

(515/518 Loctite® functional equivalent)

Suggested Applications:

- Vacuum pump flanges
- Fuel pumps
- Water pumps
- Gearbox covers
- Automotive and truck axle covers

Part No.	Item No.	Container Size	Pack
143463	49477	50ml Tube, Carded	10



Dynatex® Copper Gasket Spray Adhesive/Sealant

Dynatex® Copper Gasket Spray Adhesive/Sealant is a fast-drying copper sealant formulated to help dissipate heat and prevent gasket burnout. Typical applications include cylinder head gaskets, exhaust manifold gaskets, turbo charger flanges, and carburetor gaskets.

- Remains tacky
- Fills surface imperfections
- Prevents gasket burnout
- Resists shop fluids, including gasoline

Suggested Applications:

Cylinder head gaskets, exhaust manifold gaskets, turbo charger flanges, and carburetor gaskets.

Part No.	Item No.	Container Size	Pack
145202	49583	9 Oz. Net Aerosol	12



Dynatex® Hi-Tack Gasket Spray

Hi-Tack Gasket Spray dries quickly to a highly tacky film. Specifically designed to hold the heaviest gaskets in place during assembly. Dries fast to a highly tacky, elastomeric film, oxygen sensor safe, highly resistant to automotive fuels and oils, remains tacky indefinitely - can be applied in advance for convenience in assembly, temperature range -65°F to 450°F.

- Holds gaskets in place
- Sets fast

Suggested Applications:

Bond and seal any type of cut gasket including: rubber, felt, cork, paper and metal.

Part No.	Item No.	Container Size	Pack
143328	39358	9 Oz. Net Aerosol	12



Dynatex® Gasket Remover

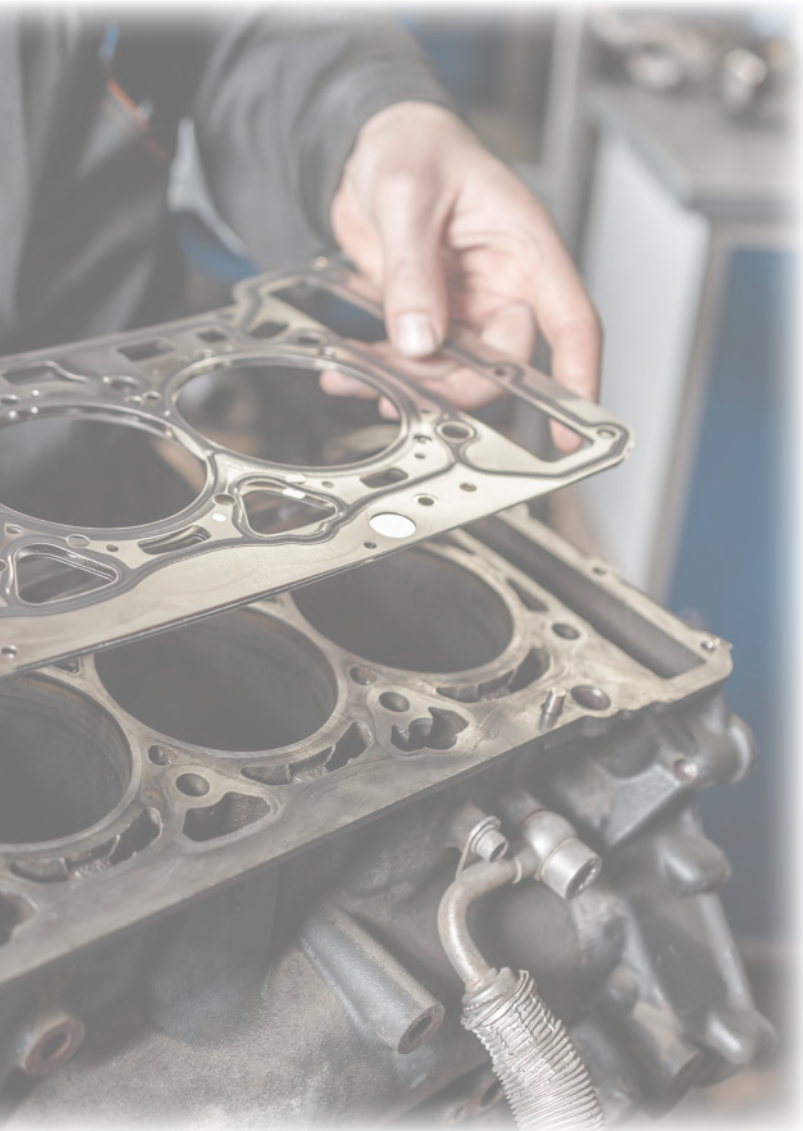
Dynatex® Gasket Remover is designed to remove gasket residue from any type of metal or plastic housing. It quickly removes baked-on gaskets, silicone weatherstrip adhesive, carbon deposits, dried oil, adhesives, grease and paint.

- Removes gaskets in 10-12 minutes
- Prepares metal parts for new gasket installation.

Suggested Applications:

Removes baked-on gaskets and gasket cements, gaskets from small difficult to reach areas, formed-in-place gaskets and gaskets from aluminum without scraping.

Part No.	Item No.	Container Size	Pack
143525	49673	13 Oz. Net Aerosol	12



Tractor / Trailer Maintenance



Dynatex® Repair Foam

Dynatex® Repair Foam is a top-of-the-line, one-component and moisture-curing PU foam. This low pressure formulation makes it ideal for sound and thermal insulation, sealing and filling all types of joints, gaps and cavities.

- Reusable up to 6 weeks
- No mixing or calibrating
- Ideal for small gap fills
- More cost effective per job than canisters

Suggested Applications:

Dynatex® Repair Foam is ideal for restricting air, sound, dirt and water vapor in a wide variety of applications, such as: Inside refrigerated trailers to bond fiberglass liners to prepared spray foam insulation and aluminum posts, gain drying bins, barns, coops and out-buildings, filling joints and insulating wall panels.

Part No.	Item No.	Container Size	Pack
143565	56200	20 Oz. Aerosol	12

Dynatex® 5th Wheel Advanced Grease

It is a heavy-duty waterproof lubricant containing graphite and molybdenum disulfide, and is formulated to tolerate the harsh environments that a fifth wheel encounters. The high solid content forms a 'plating-action' giving this product higher load carrying capabilities crucial in a fifth wheel application. Anti-rust and corrosion inhibitors are mixed together with the graphite, moly and thickeners to create a product that will outlast any conventional grease. Provides excellent lubrication and protection in all fifth wheel applications.

Use on:

- Fifth wheel slides
- King pins
- Axle slides
- Trailer ball
- Lug nuts

Part No.	Item No.	Container Size	Pack
143566	56400	60-2 Oz. packets	240 per display box



Dynatex® GTX Seam Sealer

Dynatex® GTX Seam Sealer is an Ultra Synthetic Polymer, designed to resist on-the-road flexing and vibration. Fast curing and provides permanent adhesion to most surfaces with excellent elasticity. Free from solvents and isocyanates. Formulated to offer outstanding primerless adhesion to all basic substrates found in the transportation market, such as steel, aluminum, glass, vinyl and wood. Can be applied and tooled in almost all weather conditions. Sealant is paintable with most paints.

- Seams, joints, tears & holes
- 30 minute skin time
- VOC compliant
- Paintable
- Non-streaking or staining
- Fast cure

Suggested Applications:

Tractor trailers, RVs, buses, van conversions, shipping containers & many other adhesive/sealant applications.

Part No.	Item No.	Container Size	Pack
143409	49390	300ml Cartridge—Black	12
143410	49391	300ml Cartridge—White	12
143411	49392	300ml Cartridge—Grey	12

Tractor / Trailer Maintenance



Dynatex® GTX HS 2500 Trailer Sealant

Dynatex® GTX HS 2500 Trailer Sealant takes the place of most traditional adhesives and sealants and is designed to resist all on-the-road flexing and vibration. It is fast curing and provides PERMANENT elastic adhesion to most surfaces with both quick grab and excellent durability.

- Trailer Sealant/Adhesive
- Hi-Strength Multi-Seal
- Paintable
- Non-Streaking or Staining
- Seals Seams, Joints, Tears & Holes
- Bonds to most substrates
- Can be applied and tooled in most weather conditions
- No Shrinking
- Flexible
- VOC Compliant

Use on:

- Tractor Trailers
- RVs
- Buses
- Containers
- Many other adhesive and sealant applications

Part No.	Item No.	Container Size	Pack
145764	49399	300ml Cartridge, white	12
145765	49398	300ml Cartridge, grey	12



Dynatex® GTX Ultra 500 Trailer Sealant

GTX Ultra 500 Trailer Sealant is a one component, medium-low modulus, polyurethane sealant. With a movement capacity of +/- 35%, the product remains perfectly flexible and therefore can be used for many types of high movement expansion joints, seams, repair spots, overlaps and corners.

- Sealant & Adhesive
- Non-Streaking or Staining
- Bonds to Many Substrates
- Paintable with Most Water-Based Paint Systems
- Seals Seams, Joints, Tears & Holes
- No Shrinking
- Good UV Resistance
- Flexible

Use on:

- Tractor Trailers
- RVs
- Buses
- Van Conversions
- Containers

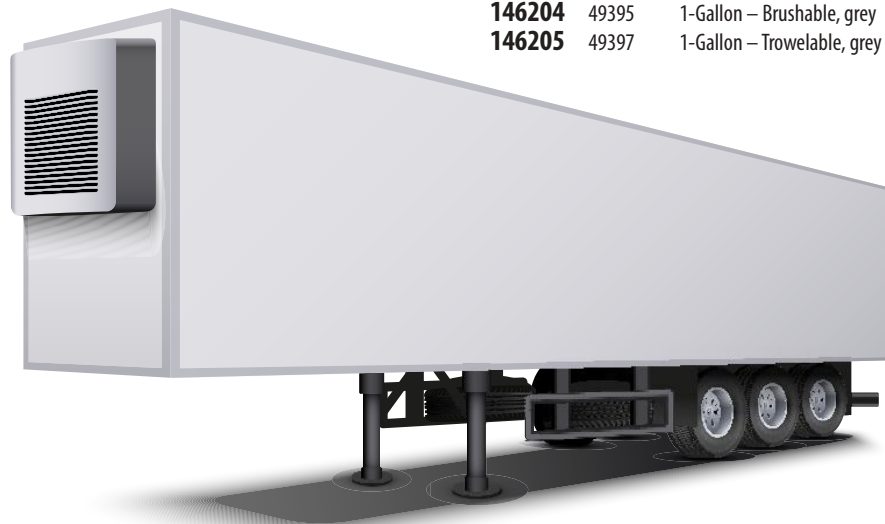
Part No.	Item No.	Container Size	Pack
144581	49394	300ml Cartridge, white	12
144690	49396	300ml Cartridge, grey	12



GTX Trailer Repair Sealant (Grey)

GTX Trailer Repair Sealant is a new VOC compliant sealant for all 50 states. GTX Trailer Repair Sealant takes the place of most traditional repair sealants and is designed to resist all the, on-the-road flexing and vibration. It is fast curing and provides permanent elastic adhesion to most surfaces with excellent elasticity. Paintable within 30 minutes, non-yellowing, non-streaking, sandable and free from solvents and isocyanates. Cures on exposure to atmospheric moisture to form a durable flexible seal. It has been formulated to offer outstanding primerless adhesion to all basic substrates found in the transportation market such as stainless steel, aluminum, wood, and other nonferrous metals. It can be applied and tooled in almost all-weather conditions. Use on: tractor trailer roofs, RV and bus roofs, shipping containers and many other sealant applications.

Part No.	Item No.	Container Size	Pack
146204	49395	1-Gallon – Brushable, grey	1
146205	49397	1-Gallon – Trowelable, grey	1



Sealants / Adhesives



Dynatex® Industrial Grade Silicone Sealants

Industrial Grade Silicone Sealants are a paste-like, one component material which cures to a tough, rubbery solid upon exposure to moisture in the air. Because it does not flow due to its own weight, these sealants can be applied overhead or on sidewall joints and surfaces without sagging, slumping or running off. They may be applied in sub-zero weather without loss of extrusion or physical property characteristics. Fully cured they can be used for extended periods at temperatures up to 450°F, and for shorter periods as high as 500°F. Tests have shown that even after two months at 450°F (or up to one week at 500°F) the sealant remains rubbery.

Suggested Applications:

Adhering auto and appliance trim, including metal, fabric and fabric-backed plastics, bonding gaskets in heating and refrigeration units, attaching screwless brackets or nameplates and tacking plastic materials to metal, sealing windows in oven doors and flues on gas appliances, bonding and sealing appliance parts, bonding signs and sign letters, creating anti-abrasion coatings; sealing marine cabins, windows and more.

Part No.	Item No.	Container Size	Pack
143381	49280	300ml Cartridge, clear	12
143384	49281	300ml Cartridge, aluminum	12
143387	49285	300ml Cartridge, white	12
143403	49297	300ml Cartridge, black	12



Dynatex® Mildew Resistant Silicone Sealant

This is a general purpose high quality 100% RTV silicone sealant. Cures at room temperature to a tough and flexible rubber. For caulking, sealing, waterproofing and bonding. Seals and bonds terminals, connectors, mounting fixtures, mechanical gaskets, glass, metal, masonry, plastic, tile, rubber, wood and fabric.

Part No.	Item No.	Container Size	Pack
143389	49286	300ml Cartridge, white	12



Dynatex® School Bus Yellow Sealant/Adhesive

Dynatex® School Bus Yellow Sealant/Adhesive is a flexible, durable sealant, which bonds most materials similar and dissimilar. Provides a water-tight silicone seal for a wide range of sealing and water-proofing applications. Eliminates leaks and drafts in windshields, and body side windows. Seals flashing and warning light signals. Can also be used as a body seam sealer. Fills voids and irregularities. Bonds and seals frayed wires, interior panels, fire-walls, dashboards, seams, joints and holes, signal lights and electrical connections. Secures wiring to prevent rattling. Temperature range -60° to 450°F. Provides long lasting elastic seal and adhesion.

- Doors and windshields
- Escape hatches and window frames
- Body seams, patches joints, tears & holes
- Electrical connections & warning light signals
- VOC compliant

Part No.	Item No.	Container Size	Pack
145990	49298	300ml Cartridge, School Bus Yellow	12



Dynatex® Clear Silicone Adhesive / Sealant

Clear Silicone Adhesive/ Sealant is a paste-like, one-component material, which cures to a tough, rubbery solid upon exposure to moisture in the air. Provides transparent, watertight silicone rubber seal for a wide range of applications. Seals, insulates and bonds. Works well on marine, recreational and industrial applications.

- Sealant
 - Forms gaskets
 - Bonds and seals
 - Insulates thermally and electrically
 - Waterproof and weatherproof seal
 - Permanently flexible -60°F to 450°F
- Adhesive
 - Seals sunroofs and windshields
 - Taillights
 - Bonds, seals, protects
 - Electrical wire insulation
 - Waterproof seal

Suggested Applications:

Windshields, sunroofs, tail-lights, interior panels, firewalls, dashboards and more.

Part No.	Item No.	Container Size	Pack
143372	49204	85g Tube, Carded	12
143376	49274	8 Oz. Auto Can	12
143400	49294	300ml Cartridge	12



Dynatex® Marine Grade Silicone Sealant

Designed for used in marine applications, Silicone Sealant is used for sealing windshields, doors, windows and wires around steering cables, depth finder wires, horn assemblies, gauges, marine antenna bases, attaching screws, rail mounts and other locations where hull has been penetrated. Resists shrinkage. Seals and bonds metal, plastic, wood, glass, fiberglass, vinyl and fabric. Cures at room temperature.

Part No.	Item No.	Container Size	Pack
143390	49289	300ml Cartridge, clear	12



Repair Adhesives

Dynatex® Auto Seam Sealant

A fast setting, rubber based sealer that has excellent flexibility and tremendous adhesion. Has a self-smoothing effect so there is no tooling solvent required. Any fingerprints or sharp edges will completely disappear within 5 minutes after tooling. This product should not be primed unless sealer is completely cured. Any type of paint may be applied after 30 minutes.

- Fast-setting
- Self-smoothing
- Won't crack or peel
- No priming necessary

Part No.	Item No.	Container Size	Pack
143408	49388	11 Oz. Cartridge	12



Dynatex® Brush-On Electrical Tape

Dynatex® Brush-On Electrical Tape outperforms common electrical tape by sealing out moisture and dirt to virtually eliminate corrosion. It sticks to metal, rubber, vinyl and plastic, forming a tough, flexible coating that dries at room temperature in just 5 minutes. The product's holding power under strong vibrations makes a real hit with 4-wheeling fans.

- Eliminates corrosion
- Seals out moisture and dirt

Suggested Applications:

Boats, trailers, RV's, trucks, automobiles, timers, pool electricals, bilge pumps, sprinkler pumps, instruments, computers, circuit boards, switches, and will stop terminal screws from vibrating loose

Part No.	Item No.	Container Size	Pack
143425	49412	4 Oz. B/top Can	12



Dynatex® Muffler & Tailpipe Sealant

A single component, non-slumping sealant that forms a seal that repairs holes and leaks in mufflers, tailpipes and around joints. Secures with heat. Full cure time is 24 hours.

(80335 Permatex® functional equivalent)

- Mufflers, tailpipes, exhaust pipes and catalytic converters
- Seals connections in exhaust systems
- Repairs leaks

Part No.	Item No.	Container Size	Pack
136989	49411	4.5 Oz. Tube - Carded	12



Dynatex® Black & Yellow Super Weatherstrip Adhesive

These products are an extrudable contact adhesive formulated for bonding various automotive and furniture trim.

- Black
 - Flexible adhesive
 - Waterproof
 - Bonds rubber weather stripping to doors, windshields, truck lids, windows and lights
- Yellow
 - Holds gaskets in place during assembly
 - Repairs weather stripping and insulation strips
 - Bonds sanding discs

Suggested Applications:

Vinyl coated fabrics (fabric side only) like Naugahyde®, metal, wood, fiberglass and ceramics, most expanded rubber, synthetic and latex foams, most kinds of plastic, including ABS, styrene, epoxies, carpeting and textiles, cork and felts, leather. Not recommended for vinyl films or plastisol foams.

Part No.	Item No.	Container Size	Pack
143428	49429	5 Oz. Tube, Black	12
143431	49430	5 Oz. Tube, Yellow	12



Epoxies

Dynatex® 4 Minute Steel Epoxy

Dynatex® 4 minute Steel Epoxy is a fast-setting, industrial strength epoxy that is excellent for bonding metal to metal or repairing defects in metal, wood and masonry. Hardens to a steel-like mass that can be drilled, tapped, sanded, filed or painted once fully cured.

Use on:

- Aluminum
- Steel
- Brass
- Bronze
- Metal
- Glass

Part No.	Item No.	Container Size	Pack
144356	49402	Net Wt. 1 Oz. (28g)	12



Dynatex® 4 Minute Clear Epoxy

Dynatex® 4 Minute Clear Epoxy is a two-part, quick curing, general purpose epoxy that reinforces repairs. Fast, easy and permanent. Better on more rigid materials. Useful for repair of autos, bikes, boats, golf clubs, skis and much more.

Bonds:

- Metal
- Wood
- Chrome
- Glass
- Fiberglass
- China
- Ceramics

Part No.	Item No.	Container Size	Pack
143416	49406	Net Wt. 1 Oz. (28g)	12



Epoxies (cont.)

Dynatex® 4-Minute Epoxy

4-Minute Epoxy is a rapid-curing, general purpose adhesive/encapsulant. It bonds rigid, durable substrates such as metals, ceramics, glass, concrete, and wood in all combinations. It forms a clear, hard, rigid bond coating in minutes. Pre-measured syringe assures proper mix for consistent results.

- Repairs plastic, wood, metal, glass & ceramics
- Ready to use
- No measuring

Suggested Applications:

Bond parts and accessories for do-it-yourself projects and hobbies, bond porcelain or metal designs to wood, marble, concrete and many other materials, mend china wares and pottery.

Part No.	Item No.	Container Size	Pack
143418	49409A	1 Oz. Syringe	12



Dynatex® 5 Minute Epoxy

5 Minute Epoxy is a fast curing epoxy adhesive that develops handling strength in about 3 to 5 minutes and will cure rapidly in thin films at low temperatures. It is an excellent industrial adhesive characterized by a non-critical mixing ratio. It is ideally suited to applications in electronics and general product assembly.

- Will not shrink
- Impact resistant
- Water resistant
- Set time – 5 minutes
- Operating temperature -40°F to 200°F
- Bonds most plastics, metals, ceramics, paper, wood, and some rubbers

Suggested Applications:

To bond rigid materials including:

- Chrome
- Plastic
- Fiberglass
- Metal
- Glass

Part No.	Item No.	Container Size	Pack
143337	44101	25ml Syringe	12



Dynatex® 30 Minute Epoxy

30 Minute Epoxy is a medium curing epoxy adhesive that develops handling strength in about 30 to 45 minutes and will cure rapidly in thin films at low temperatures. It is an excellent industrial adhesive characterized by a non-critical mixing ratio. It is ideally suited to applications in electronics and general product assembly.

- Will not shrink
- Water resistant
- Eliminates need for welding
- Set time – 30 minutes
- Operating temperature -40°F to 200°F
- Bonds most plastics, metals, ceramics, paper, wood, and some rubbers

Suggested Applications:

To bond rigid materials including:

- Chrome
- Plastics
- Fiberglass (Excluding polyethylene and polypropylene)
- Glass
- Metal

Part No.	Item No.	Container Size	Pack
143338	44107	25ml Syringe	12



Dynatex® Multi Metal Epoxy

Multi Metal Epoxy is a two-part filled epoxy designed for bonding metals and plastics. It cures at room temperature to a tough, semi-rigid material. It will readily bond most plastics, metals, ceramics, paper, wood and some rubbers, and possesses very good impact and vibration resistance.

- Will not shrink
- Impact/vibration resistant
- Set time – 120 minutes
- Operating temperature -40°F to 300°F
- When cured, can be drilled, sanded, threaded or filed
- Bonds: aluminum, brass, chrome, copper, stainless steel, and steel

Suggested Applications:

- Aluminum
- Copper
- Steel
- Brass
- Iron
- Cast
- Chrome
- Stainless Steel

Part No.	Item No.	Container Size	Pack
143339	44109	25ml Syringe	12



Dynatex® Plastic Weld Epoxy

Plastic Weld Epoxy is a methacrylate-based structural adhesive designed for bonding engineered thermoplastics, thermosets, composites, nylon, e-coat and metal together in any combination. It has exceptional durability and environmental resistance. It requires minimal surface preparation and does not require priming.

- No priming required
- Minimal surface prep
- Set time – 5 minutes
- Exceptional durability and environmental resistance
- Operating temperature -67°F to 250°F
- For bonding engineered thermoplastics, thermosets, composites, nylon, e-coat and metal together in any combination

Suggested Applications:

To bond rigid materials including:

- ABS
- Vinyl
- Glass
- SMC
- Fiberglass
- FRP
- Styrene
- PVC
- Acrylic
- Wood

Part No.	Item No.	Container Size	Pack
143340	44115	25ml Syringe	12



EPOXIES COMPETITIVE COMPARISON

	Dynatex 44101	Leading Competitor
Cure Time	4 - 6 minutes	4 - 6 minutes
Stainless Steel to Stainless Steel	2350 psi	750 psi
ABS to ABS	150 psi	100 psi
Glass to Stainless Steel	250 psi	200 psi
	Dynatex 44107	Leading Competitor
Cure Time	30 - 40 minutes	30 - 40 minutes
Stainless Steel to Stainless Steel	1200 psi	700 psi
ABS to ABS	100 psi	75 psi
PMMA to PMMA	650 psi	175 psi
	Dynatex 44109	Leading Competitor
Cure Time	45 - 75 minutes	4 - 5 minutes
Stainless Steel to Stainless Steel	2600 psi	1250 psi
Glass to Stainless Steel	400 psi	250 psi
PC to Stainless Steel	375 psi	100 psi
	Dynatex 44115	Leading Competitor
Cure Time	4 - 6 minutes	5 - 6 minutes
PC to PC	1500 psi	750 psi
PMMA to PMMA	1650 psi	900 psi
PMMA to Stainless Steel	350 psi	550 psi
PC to Stainless Steel	550 psi	350 psi

Super Glue / Adhesives



Dynatex® Rubber Adhesive

Rubber Adhesive is a single component, medium viscosity cyanoacrylate adhesive. It is suitable for general purpose bonding, particularly providing excellent strength and speed on all rubber compounds

- General purpose bonding
- Provides excellent strength and speed
- Medium viscosity
- For use on all rubber compounds

Suggested Applications:

Reattaching trim, knobs, logo plates, broken plastic pieces, and especially designed for rubber to rubber application.

Part No.	Item No.	Container Size	Pack
143334	42077	20g Bottle, Clear, Carded	12



Dynatex® Rubber Toughened Adhesive

Rubber Toughened Adhesive is a high viscosity, rubber-toughened ethyl cyanoacrylate adhesive. Provides superior shock and thermal resistance when bonding rubbers, metals and plastics in harsh environments.

- Bonds in seconds, easy to use
- Resistant to impact, high and low temperatures and most chemicals
- Super strong, holds up to 5,000 lbs.
- For wood, rubber, plastic, metal, ceramics, etc.

Suggested Applications:

Gear shift knobs, small interior and exterior repair, knobs, logos, trim and reflectors, and where common impacts occur.

Part No.	Item No.	Container Size	Pack
143336	42241	20g Bottle, Black, Carded	12

Dynatex® Super Glue

Super Glue is a fast setting, low to medium viscosity adhesive designed to bond close fitting surfaces quickly. It offers viscosity and flow characteristics that are ideal for filling small gaps. Sets in seconds to form a permanent, transparent bond. Effective on metal, rubber, glass aluminum, ceramics, vinyl, alloys, plastics and other non-porous surfaces.

- Bonds in seconds, easy to use
- Resistant to impact, high and low temperatures and most chemicals
- Super strong, holds up to 5,000 lbs.
- For wood, rubber, plastic, metal, ceramics, etc.

Suggested Applications:

Automotive trim, minor interior repairs, knobs, logos, household repairs and more.

Part No.	Item No.	Container Size	Pack
143415	49403	3g Tube, Carded	12
143432	49431	20g Bottle, Carded	10
143435	49433	(Gel) 2g Tube, Carded	12



Dynatex® Rear View Mirror Adhesive

A professional strength adhesive and activator that secures rear view mirror mounts to windshields. The Rear View Mirror Adhesive adheres to the windshield within 40 seconds and allows mirror mounting in approximately 15 minutes. Easy 2 step process. (81840 Permatex® functional equivalent)

- Permanently bonds mirror bracket to windshield
- Ready to use in minutes

Features:

- Blend of toughness and high tensile shear strength
- Fast evaporation of IPA
- Strong fixturing in 40 seconds
- Excellent surface wetting

Typical Applications:

- All foreign and domestic metal rear view mirror mounting buttons.

Part No.	Item No.	Container Size	Pack
143413	49401	0.6ml Pillow Packet with Primer - Carded	12



Dynatex® General Purpose Spray Adhesive

Dynatex® General Purpose Spray Adhesive combines a uniform misting spray pattern with super high solids to create a fast tacking and high bond strength product capable of handling virtually any light or heavy-duty job. Use for bonding fabric, plastics, felt, cork, foam, insulation, paper, corrugated, wood, most metals and more. It has a conveniently long 'open time' to allow for repositioning and adjustment when affixing surfaces to be bonded. Also featured is a moderate flow rate spray valve to provide overspray control in a mist adhesive. The product has an economical coverage rate and is ideally suited for both temporary or permanent bonds.

- VOC Compliant
- Non-Chlorinated
- Fast drying
- High strength
- Formulated with high solids

Part No.	Item No.	Container Size	Pack
146203	49360	Net Wt. 12 Oz. (340g)	12



Anaerobic Threadlockers

THREADLOCKER SPE

Product	Item No	Color	Viscosity (cP)	Fasteners	Torque (lbs) Break/Prevail
Blue Medium Strength Threadlocker	49440	Blue	1000	1/4" to 3/4"	125 / 70
Blue Medium Strength Threadlocker Gel	49446	Blue	Thixotropic	1/4" to 1"	70 / 35
Red High Strength Threadlocker	49450	Red	2500	1/4" to 3/4"	190 / 230
Red High Strength Threadlocker Gel	49456	Red	Thixotropic	1/4" to 1"	180 / 250
Green High Strength Threadlocker (Wicking Style)	49460	Green	30	1/4" to 3/4"	50 / 350
Green High Strength SleeveLocker	49472	Green	600	Gaps of 0.01" diameter	100 / 200
Purple Low Strength Threadlocker	49482	Purple	1200	< 1/4"	58 / 30

Dynatex® Blue Medium Strength Threadlocker

Blue Medium Strength Threadlocker is a medium strength anaerobic threadlocking material, which cures between engaged threads to form a unitized assembly that resists virtually all leakage, shock and vibration. Easily removable with hand tools for servicing requirements. Protects against thread corrosion.

- Seals against leakage
- For application before assembly

Suggested Applications:

Case cover bolts, oil seal retainer bolts, fuel tank fasteners, lug nuts, gear shift knobs, door hardware, axle housing bolts, valve cover bolts, rocker arm adjustment nuts and more.

Part No.	Item No.	Container Size	Pack
143815	9442	1ml tube	100
143436	49440	10ml Bottle	20
143439	49441	6ml tube, Carded	6
143442	49442	24ml Bottle, Carded	6
143443	49443	50ml Bottle	10
143444	49444	250ml Bottle	4



Dynatex® Blue Medium Strength Threadlocker Gel

Blue Medium Strength Threadlocker Gel is a medium strength anaerobic threadlocking material, which cures between engaged threads to form a unitized assembly that resists virtually all leakage, shock and vibration. Ideal for all 1/4 inch to 3/4 inch diameter nut and bolt assemblies. Threadlocker Gel is easily removable with hand tools for servicing requirements. Protects against thread corrosion.

- Easy to apply
- No drips
- No mess

Suggested Applications:

Case cover bolts, oil seal retainer bolts, fuel tank fasteners, lug nuts, gear shift knobs, door hardware, axle housing bolts, valve cover bolts, rocker arm adjustment nuts, water pump bolts and more.

Part No.	Item No.	Container Size	Pack
143445	49446	35ml Pump Bottle, Carded	6



Anaerobic Threadlockers

IFICATIONS SHEET

Fixture (Full Cure)	Temperature Range	Use/Common Applications
20 min (24 hr)	-75 to 300°F	Applied before assembly of Cup and core plugs; Starter mounting, alternator mounting, oil pan, intake manifold, drive shaft, and pulley bolts
20 min (24 hr)	-75 to 300°F	Applied before assembly of Cup and core plugs; Starter mounting, alternator mounting, oil pan, intake manifold, drive shaft, and pulley bolts
30 min (24 hr)	-75 to 300°F	Applied before assembly of shock absorber, frame, ring gear, and fan hub bolts; cylinder blocks; and rocker arm studs
20 min (24 hr)	-75 to 300°F	Applied before assembly of shock absorber, frame, ring gear, and fan hub bolts; cylinder blocks; and rocker arm studs
20 min (24 hr)	-75 to 300°F	Applied AFTER assembly of adjustment screws; brazed joints in cooling systems; carburetors; electrical connectors
20 min (24 hr)	-75 to 300°F	Applied before assembly of cylinder sleeves; bearings and bushings; woodruff keys; valve guides and seats; and liner assemblies
20 min (24 hr)	-75 to 300°F	Applied before assembly of small bolts in distributor and ignition systems; dash board assembly bolts; relay lock and idle control screws; throttle body assembly bolts

Dynatex® Red High Strength Threadlocker

Red High Strength Threadlocker is a high strength anaerobic threadlocking material that cures between engaged threads to form a unitized assembly that resists virtually all leakage, shock and vibration. Ideal for all 3/8 inch to 1 inch diameter nut and bolt assemblies where future disassembly is improbable. Provides a positive seal that resists most fluids. Prevents nuts, bolts and other fasteners from loosening due to vibration. Fixture tight in minutes. Protects against thread corrosion.

- Secures larger fasteners studs and bushing from loosening due to vibration
- Reinforces press and slip fits

Suggested Applications:

Bumper fasteners, shock absorber mounts, exhaust system mounts, ring gear bolts, frame bolts, suspension fasteners, air starter fasteners, cylinder block and rocker arm studs and more.

Part No.	Item No.	Container Size	Pack
143814	9440	1ml tube	100
143446	49450	10ml Bottle	20
143449	49451	6ml tube, Carded	6
143453	49452	24ml Bottle, Carded	6
143454	49453	50ml Bottle	10
143455	49454	250ml Bottle	4



Dynatex® Red Super High Strength Threadlocker Gel

Red Super High Strength Threadlocker Gel is a high strength anaerobic threadlocking material, which cures between engaged threads to form a unitized assembly that resists virtually all leakage, shock and vibration. Packaged in an easy-to-use self-metering pump bottle, which eliminates waste. Easy to apply; no drips, and no mess. Resists virtually all leakage, shock and vibration. Ideal for all 1/4 inch to 1 inch diameter nut and bolt assemblies where future disassembly is improbable. Excellent chemical resistance. Fixture tight in minutes. Protects against thread corrosion.

- Easy to apply
- No drips
- No mess

Suggested Applications:

Bumper fasteners, shock absorber mounts, exhaust system mounts, ring gear bolts, frame bolts, suspension fasteners, air starter fasteners, cylinder block and rocker arm studs and more.

Part No.	Item No.	Container Size	Pack
143456	49456	35ml Pump Bottle, Carded	6



Anaerobic Threadlockers (cont.)

Dynatex® Green Wicking Grade Threadlocker

Green Wicking Grade Threadlocker is a low viscosity anaerobic threadlocking adhesive. Because of its low viscosity and capillary action, the product wicks between engaged threads and eliminates the need to disassemble, apply product, and then reassemble. Cures when confined in the absence of air between close fitting metal surfaces. Prevents loosening and leaking from shock and vibration, and protects threads from rust and corrosion. It can also be used to fill porosity in welds, casting and powder metal parts. Localized heating and hand tools are needed for disassembly.

- Replaces splines and keys
- Returns worn/out-of-tolerance assemblies to fit
- Eliminates press and slips fit

Suggested Applications:

Pre-assembled threaded assemblies, adjustment screws, brazed joints in cooling systems, carburetors, electrical connectors.

Part No.	Item No.	Container Size	Pack
143457	49460	10ml Bottle	20
143458	49463	50ml Bottle	10



Dynatex® Green High Strength SleeveLocker

Ideal for all nut and bolt assemblies less than 1/2". Because of its low viscosity and capillary action, it wicks between threads and eliminates the need to disassemble and reassemble.

(640 Loctite® functional equivalent)

Suggested Applications:

- Cylinder sleeves
- Bearings and bushings
- Woodruff keys
- Valve guides
- Valve seats
- Liner assemblies

Part No.	Item No.	Container Size	Pack
143460	49472	24ml Bottle, Carded	6
143462	49474	250ml Bottle	4



Dynatex® Red Hi-Strength Threadlocker

Dynatex® Red Hi-Strength Threadlocker is a single component anaerobic threadlocking adhesive that develops high strength. It prevents loosening and leaking of threaded fasteners. It is suitable for heavy-duty applications where high levels of shock, vibration and stress are present. Cures without cracking or shrinking and prevents rusting of threads. Seals against leakage.

Permatex® 271 functional equivalent.

Use on:

- Shock absorber bolts
- Frame bolts
- Cylinder block
- Rocker arm studs
- Ring gear bolts
- Fan hub bolts
- Motor and pump mounts
- Heavy equipment

Part No.	Item No.	Container Size	Pack
143341	44453	50ml Bottle	10



Dynatex® Purple Low Strength Threadlocker

Purple Low Strength Threadlocker is a low strength anaerobic threadlocking material that cures between engaged threads to form a unitized assembly. Ideal for all nut and bolt fasteners under 1/4 inch. Excellent chemical resistance. Easily removable with hand tools for servicing requirements.

- Eliminates vibration issues
- Cures without cracking or shrinking
- Prevents rusting of threads
- Can be adjusted or disassembled

Suggested Applications:

Small bolts in distributor, dash board assembly bolts, relay lock screws, idle control screws, small bolts in ignition systems, throttle body assembly bolts, set screw for rear view mirror.

Part No.	Item No.	Container Size	Pack
143465	49482	24ml Bottle	6



Dynatex® Purple Hydraulic/Pneumatic Sealant

It is designed for the locking and sealing of metal pipes and fittings. Seal hydraulic and pneumatic fittings up to 2" in diameter to resist high pressures and vibrational loosening. Specially formulated to offer high-lubricity for easy assembly and removal. Recommended for fine threaded fittings as used in hydraulic and pneumatic installations and small fittings. It contains no fillers or particles that could contaminate system fluids, foul valves or clog fine filters and screens. Excellent solvent resistance.

Suggested Applications:

- Small bolts in distributor
- Small bolts in ignition systems
- Dash board assembly bolts
- Throttle body assembly bolts
- Relay lock screws
- Set screw for rear view mirror
- Idle control screws

Part No.	Item No.	Container Size	Pack
143471	49545	50ml Bottle	10



Dynatex® Threadlocker Primer

Threadlocker Primer is a highly reactive surface activator designed to speed cure rates of Dynatex® Anaerobic Adhesives. It is designed for use in bonding applications where speed is essential.

- Removes oil & grease from parts
- Contains no CFC's
- Promotes the rapid cure of Threadlocker Adhesive/Sealant

Suggested Applications:

For inactive metal surfaces, large gaps, cold temperatures.

Part No.	Item No.	Container Size	Pack
143526	49674	5.5 Oz. Net Aerosol	6



See Threadlocker Specifications Sheet on previous page.

Pipe / Thread Sealants

Dynatex® Pipe Sealant with PTFE

Pipe Sealant w/PTFE provides immediate low pressure sealing performance on tapered pipe threads. The product is designed to cure when in contact with metals, and without air by anaerobic reaction up to the burst rating of the pipe itself. The product cures to a solid plastic, completely sealing against hydraulic fluids, air, most gasses, and most chemicals. It is an excellent replacement for pipe dopes and pipe tapes.

- Locks and seals threaded fittings
- Prevents vibration loosening
- Seals tapered threads instantly
- Lubricates threads

Suggested Applications:

Automotive, appliance, construction, fire protection, plumbing, utilities, petroleum refining, chemical processing.

Part No.	Item No.	Container Size	Pack
143466	49486	50ml Tube, Carded	6



Dynatex® Thread Sealant with PTFE

This is a non-toxic, non-drying thread sealing compound consisting of a blend of non-melting grease, PTFE particles and other inert solid fillers engineered to produce a leak-proof seal. It does not contain lead, graphite, molybdenum disulfide, or clay fillers.

- Bonds in seconds, easy to use
- Resistant to impact, high and low

Suggested Applications:

Connections, pipe bungs, bolts, flange seals, a gasket-parting compound, air conditioning fittings, temperature sending fittings, hydraulic fittings.

Part No.	Item No.	Container Size	Pack
143468	49494	4 Oz. B/top Bottle	12
143470	49495	16 Oz. B/top Bottle	6



Lubricants

Dynatex® Anti-Seize

Anti-Seize is a heavy-duty, economical industrial anti-seize and lubricating paste containing very finely divided metallic particles in a special no-melt petroleum base grease. It leaves a protective film that seals and protects metal parts even under the most extreme conditions of heat, pressure and steam and water exposure.

- High heat protection up to 2000° F
- Lowers friction and reduces torque

Suggested Applications:

Threaded fittings, winches, valve shafts, casting equipment, conveyors, rig drives, sprockets & chains, manifold studs & bolts, brake cams & pins, splines & worn gears.

Part No.	Item No.	Container Size	Pack
143474	49550	4 Oz. B/top Bottle	24
143477	49558	8 Oz. B/top Bottle	12
143480	49560	16 Oz. B/top Bottle	12
143483	49576	12 Oz. Net Aerosol Can	12



Dynatex® Copper Anti-Seize

This is a heavy-duty, economical industrial anti-seize and lubricating paste containing very finely divided metallic particles in a special no-melt petroleum base grease. It leaves a protective film that seals and protects metal parts even under the most extreme conditions of heat, pressure, steam and water exposure.

Dynatex® Nickel Anti-Seize

This is a heavy-duty anti-seize and lubricating paste containing a balanced blend of pure nickel and graphite, homogenized into a semi-synthetic, non-melting, grease base. It does not contain any sulfur, lead, copper, halogens or clay fillers.

Suggested Applications:

Threaded fittings, winches, valve shafts, casting equipment, conveyors, rig drives, sprockets & chains, manifold studs & bolts, brake cams & pins, splines & worn gears.

Part No.	Item No.	Container Size	Pack
143487	49582	8 Oz. B/top Bottle, Copper	12
143490	49584	8 Oz. B/top Bottle, Nickel	12



Dynatex® Silicone Spray Lubricant

Silicone Spray Lubricant is a dry film lubricant which waterproofs, protects, reduces corrosion and lubricates. It is colorless, non-toxic, non-staining, non-corrosive and suitable for metal, plastic, rubber, vinyl, leather and wood. Active ingredients comply with FDA and USDA regulations.

- VOC compliant
- Professional grade
- Food grade
- Lubricates
- Protects
- Waterproofs

Suggested Applications:

Windshield wiper linkage, interior hinges, slides or springs, snow blower chutes, lubricates door locks, trunk lids, brake cables and rubber molding.

Part No.	Item No.	Container Size	Pack
143543	52115	10.25 Oz. Net Aerosol	12



Dynatex® Transmission Assembly Lube

A petroleum and hydrocarbon mixture formulated for use as an assembly lubricant for automatic and manual transmissions. Remains stable and smooth at working temperatures, soluble in transmission fluids and will not clog transmission filters. Blue color eliminates misdiagnosing leaks.

Suggested Applications:

Bearings, seals, o-rings, Gaskets, bushings, sealing rings, thrust washers and hydraulic seals.

Part No.	Item No.	Container Size	Pack
143563	55016	1 lb. Tub	12



Specialty Greases

Dynatex® White Lithium Grease

This multi-purpose grease is designed to reduce friction between load bearing moving metal surfaces and/or the combination of metal and plastic surfaces. It is characterized by mechanical shear stability, very high loads carrying ability, excellent resistance to water, oxidation, and corrosion. It has outstanding performance in high temperature applications. In many cases, it equals or outperforms other high temperature greases such as, aluminum complex and polyurea base greases. It contains no heavy metals or other harmful environmentally undesirable additives.

- Lubricates
- Prevents rust and corrosion
- Water and heat resistant
- Multi-purpose

Suggested Applications:

Door hinges, hood latches, interior window mechanisms, radio antennas, trunk latches, hatchback struts, seat tracks, garage door and delivery truck door tracks.



Part No.	Item No.	Container Size	Pack
143499	49594	1.5 Oz. Tube - Carded	12
143561	49595	16 Oz. Tub NLGI #2	12
143503	49596	10.5 Oz. Net Aerosol	12

Dynatex® Dielectric Grease

Dielectric Grease is a silicon dioxide thickened, very high molecular weight dimethyl polysiloxane based material. It is an extremely stiff, tacky, tenacious compound with excellent water repellency even to seawater. It has outstanding high temperature and vacuum capabilities as well.

- Prevents fusing of spark plug boots
- Keeps battery terminals corrosion free
- Seals high energy ignition systems
- Prevents voltage leakage

Suggested Applications:

Spark plug boots, distributor cap nipples, battery terminals, ignition coil connectors, headlamp connectors, trailer electrical connectors, bulb sockets, and high energy ignition systems.



Part No.	Item No.	Container Size	Pack
143270	1046	2g Pillow Packet	3000
143509	49633	8 Oz. B/top Bottle	12
08946 3M® functional equivalent			
143511	49634	1/3 Oz. Tube, Carded	12
143513	49635	5 Oz. Tube, Boxed	12
143514	49636	2g packet (200pc) Jar	1

Dynatex® Motor Assembly Grease

A lubricant used in rebuilding engines. Dynatex® Motor Assembly Grease adheres to component surfaces such as bearings, camshafts, lifters, valves and guides. Once new engine is started the motor assembly grease protects from galling until the regular engine oil arrives.

- Brake Assemblies
- Engine bearings
- Gear shift parts
- Rust proofing
- Steering gear assemblies

Part No.	Item No.	Container Size	Pack
143506	49598	6 Oz. Tube	12



Dynatex® Heat Transfer Compound

A grease-like silicone material, heavily filled with heat conductive metal oxides. It is used as a heat transfer medium in the electrical and electronic industry for facilitating heat dispersion. Withstands high and low temperatures (-65°F to 400°F), water resistant, chemically inactive and hydrolytically stable. Use on thermocouple and thermometer wells, mounting semi-conductor devices and thermo joints.

- Transfers heat away from electronic devices
- High thermal conductivity
- Temperature range to 400°F

Part No.	Item No.	Container Size	Pack
143515	49643	5 Oz. Tube - Boxed	12



Dynatex® Red Grease

Multi-purpose lubricant provides extra protection under extreme pressure and temperatures from 0°F to 400°F. Excellent water resistance makes it ideal for machinery operating in damp environments. Use on bearings, automotive hinges, hitches, fifth wheels, cables, pulleys and chains.

- Provides lubrication
- Provides protection
- Prevents corrosion
- Resists oxidation

Part No.	Item No.	Container Size	Pack
143508	49611	12 Oz. Net Aerosol	12



Dynatex® Multi-Purpose Wheel Bearing Grease

A premium, state of the art lithium complex grease. Dynatex® Multi-Purpose Wheel Bearing Grease has a high drop point in excess of 500°F, which ensures retention in high temperature applications. This multi-purpose grease has been formulated with a special additive which ensures high film strength, extreme pressure and anti-wear properties.

- Heavy duty
- Professional grade
- Automotive
- Industrial

Part No.	Item No.	Container Size	Pack
143562	54016	1 lb. Tub	12



Brake Maintenance

Dynatex® Brake & Caliper Lubricant

A high performance, high temperature formulated grease that lubricates under the most harmful brake conditions keeping the caliper pins, sleeves, bushings and pistons operating throughout the brake pad life. Prevents corrosion.

- Prevents rust and corrosion
- Extends wear and prevents galling
- Allows easy disassembly
- Extremely high temperature 1600°F

Suggested Applications:

Caliper slide pins, sleeves, pistons and bushings.

Part No.	Item No.	Container Size	Pack
143493	49590	8 Oz. Brush Top Bottle	12



Dynatex® Brake System Silicone Compound

A silicone based lubricant that protects rubber and plastic gears. Contains NO petroleum or by-products. Locks out moisture and has excellent wash away resistance. Prevents drying and cracking. Recommended by major brake installer chains, fleets and brake manufacturers. Unaffected by extreme temperatures from -40°F to 500°F.

- 100% Silicone
- Corrosion protection
- Provides moisture barrier
- Does not contain petroleum
- Washout resistant
- Lubricates and protects rubber and plastic parts
- Won't dry out in service
- Excellent washaway characteristics

Suggested Applications:

Lubricate bushings, seals and slide pins.

Part No.	Item No.	Container Size	Pack
143496	49593	5.3 Oz. Tube - Boxed	12
143266	1020	6g Pillow Pack	1500



Dynatex® Ceramic Disc Brake Grease

A pure synthetic, high concentration dry-film, boundary lubricant treated with the latest rust, oxidation and anti-wear additives to provide lasting protection against friction, wear and corrosion. A superior noise dampening compound that will last the life of the brake pads and shoes hence reducing customer comebacks resulting from noise complaints. It will stay in place and protect at extreme temperatures from -50°F to 3000°F. Designed to be compatible with most plastics and rubbers, especially ethylene propylene rubber (EPDM, EP or EPT) commonly used in brake caliper systems.

(24125 Permatex® functional equivalent)

- Prevents rust and corrosion
- Silences calipers
- Chemical resistant
- Protects up to 3000°F

Suggested Applications:

Caliper slide pins, sleeves, pistons, bushings and pad back plates.

Part No.	Item No.	Container Size	Pack
143517	49660	8 Oz. Brush Top Bottle	12



Dynatex® Disc Brake Quiet

Forms a high temperature film that absorbs vibration while quieting squeaks and squeals. Can be applied on backing plates, brake pad contact points, on back of brake pads.

- VOC compliant
- Eliminates disc brake squeal

Suggested Applications:

Brake pad back plates.

Part No.	Item No.	Container Size	Pack
143519	49662	9 Oz. Net Aerosol	12



Dynatex® Non-Chlorinated Brake & Parts Cleaner

Non-Chlorinated Brake & Parts Cleaner provides maximum performance in a cleaner without the use of ozone depleters or chlorinated solvents. It penetrates through dirt and corrosion and flushes them away, eliminating the need to disassemble. It leaves no residue and dries fast. Ideal for aluminum surfaces.

- Helps remove brake fluid, grease and resins
- Evaporates quickly and completely
- Degreases drum and disc brake parts
- Contains no chlorinated solvents

Suggested Applications:

All brake systems including: Drum(s), calipers, discs, shoes, pads, cylinders, springs and all-purpose parts cleaning.

Part No.	Item No.	Container Size	Pack
143520	49665	14 Oz. Net Aerosol	12



Aerosols

Dynatex® Battery Terminal Cleaner w/Acid Detector

Battery Terminal Cleaner w/Acid Detector is for cleaning all types of storage batteries and attachments in vehicles and emergency power supply systems. It penetrates and removes corrosion, dirt and grime instantly. Detects corrosion buildup on terminals, cables, hold-downs and hoses. Turns red on contact with battery acid.

Dynatex® Battery Terminal Protector

Battery Terminal Protector is an aerosol product for sealing and coating the terminals of a battery and eliminating the formation of acid salt corrosion that is typically found when terminals are untreated. It prolongs battery life by protecting battery terminals and connectors against moisture and corrosions. It also resists heat aging.

--Cleaner

- Detects corrosion buildup on terminals, cables, hold-downs, and boxes
- Instantly neutralizes and dissolves harmful acid

--Protector

- Prolongs battery life
- Protects against moisture
- Protects against corrosion
- Resists heat aging

Suggested Applications:

Batteries, cables and terminal connections.

Part No.	Item No.	Container Size	Pack
143529	49675	15 Oz. Net Aerosol Cleaner	12
143531	49678	12.25 Oz. Net Aerosol Protector	12



Dynatex® Carb & Choke Cleaner

A blend of solvents specifically formulated to dissolve and remove varnish, gum sludge and clean the residue deposited on carburetors and chokes during the normal operation of a motor vehicle or other gasoline engine powered equipment.

- VOC compliant
- Carburetors
- Automatic chokes
- PCV systems
- Heat risers

Suggested Applications:

Chokes and choke plates, carburetors, gummed up linkages, power and lawn and garden equipment.

Part No.	Item No.	Container Size	Pack
143540	52105	12 Oz. Net Aerosol	12

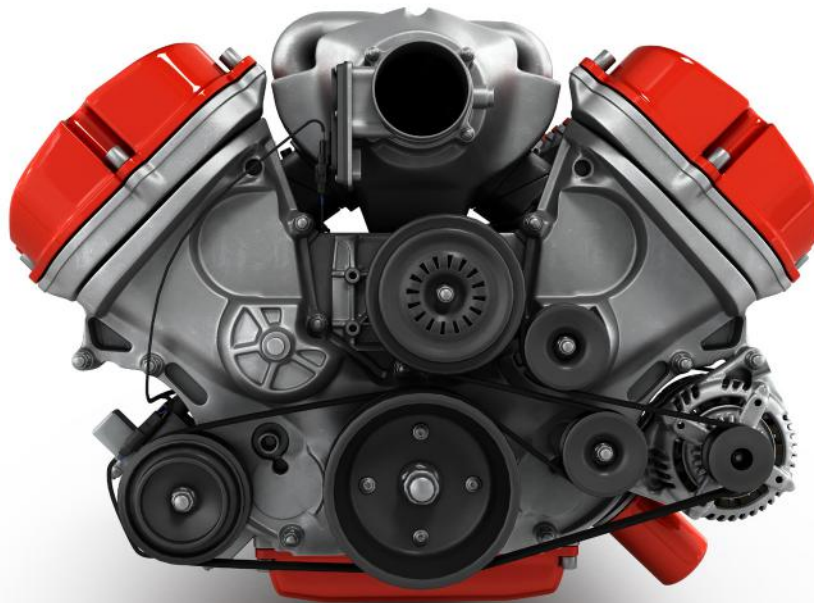


Dynatex® Electrical Parts Cleaner

Quickly dissolves and flushes away grease, oil, dirt and other contaminants while leaving no residue. Use on air conditioning equipment, electric motors, alternators, starting motors, cables, relays, battery chargers and more. NOT SAFE FOR USE ON RUBBER OR PLASTIC.

- Instantly cleans electrical parts
- Dries fast
- Leaves no residue
- Eliminates dismantling

Part No.	Item No.	Container Size	Pack
143548	52145	16 Oz. Net Aerosol	12



Aerosols

Dynatex® Penetrating Oil

Penetrating Oil is a multi-purpose light oil formula designed to assist in the separation and disassembly of rusted and corroded mechanical assemblies for automotive, industrial and marine maintenance repair. It quickly penetrates the bond of oxidized metals and loosens the surfaces with a thin lubricating film and was primarily designed for loosening “frozen” corroded thread assemblies. Protects hand tools, and small machinery from corrosion. This product also keeps linkages, pivot arms and cables rust-free, lubricated and smooth running.

- VOC compliant
- Professional grade
- Stops squeaks
- Frees rusted parts
- Protects metal
- Displaces moisture

Suggested Applications:

Lubricates to free corroded thread assemblies on: Engine repairs, automotive hardware, exhaust systems, brake assemblies, and PCV valves.

Part No.	Item No.	Container Size	Pack
143546	52125	12 Oz. Net Aerosol	12



Dynatex® Contact Cleaner

Removes grease, dirt, oil and other surface contaminants from electrical/ electronic devices. Fast drying, leaves no residue and cleans easily. Safe on most surfaces. Extremely flammable.

- Fast drying
- Leaves no residue
- Cleans easily

Part No.	Item No.	Container Size	Pack
143550	52146	12 Oz. Net Aerosol	12



Dynatex® Engine Degreaser

Penetrating formula produces quick, satisfying results. Ideal for dissolving grease, oil and dirt deposits on engines of all types. Can also be used on driveways and garage floors. Cleans off easily to restore bright appearance to engines, machinery and more.

- Quickly cuts and lifts grease, oil and dirt
- Cleans off easily
- Restores bright appearance to engines, machinery, etc.

Suggested Applications:

Engines, engine compartment, undercarriage, equipment, tools, garage floors

Part No.	Item No.	Container Size	Pack
143551	52165	16 Oz. Net Aerosol	12



Dynatex® Rubberized Undercoating

Provides long-lasting rust and corrosion protection to the undercarriage of cars, trucks, buses and trailers. Resilient rubber texture is tough and flexible with sound deadening qualities. Rubberized for maximum thickness, durability and flexibility.

- VOC compliant
- Seals and protects against rust and corrosion
- Quiets road noise

Suggested Applications:

Undercarriage of vehicles and equipment, trunks, panels

Part No.	Item No.	Container Size	Pack
143553	52175	16 Oz. Net Aerosol	12



Dynatex® Belt Dressing

Extends belt life by conditioning against drying and cracking. Stops squeal and protects against belt slippage due to heat, cold, dampness, dust and glazing. Penetrates the cord fibers to restore pliability and flexibility. Recommended for use on all types of machinery and equipment with motor-driven belts.

- Stops belts from slipping squeaking
- Helps prevent premature wear, drying and cracking
- Provides better grip and traction

Suggested Applications:

V Belts and Drive Belts

Part No.	Item No.	Container Size	Pack
143558	52188	12 Oz. Net Aerosol	12



Dynatex® Glass Cleaner

Our Glass Cleaner is versatile and safe enough to use on your most delicate glass surfaces, yet is strong enough to quickly cut through the toughest dirt, dust, and fingerprint and haze deposits. It is biodegradable, ready to use, foaming, non-abrasive, professional grade, non-flammable and non-ozone depleting.

- VOC compliant
- Professional grade
- Non-streaking
- Contains no CFCs
- Removes bugs, road film, salt, grease, tar and paint over-spray
- Ammonia Free

Suggested Applications:

Mirrors, chrome, stainless Steel, polished metals, porcelain, and removes bugs, road film, salt, grease, tar and paint over-spray.

Part No.	Item No.	Container Size	Pack
143555	52185	19 Oz. Net Aerosol	12



Hand Cleaners

Dynatex® Dual-Sided Abrasive Wipes

Dual-Sided Abrasive Wipes remove the toughest grease, tar, grime, ink, paints, sealants, adhesives and other difficult soils. Each pre-moistened wipe has a textured surface on one side that is ideal for cleaning heavy-duty soils from hands, tools and work areas. The wipes also have a smooth side for general purpose cleaning.

- Cleans paint, adhesives, oil and more from hands, tools and surfaces

Suggested Applications:

Automotive service departments, agriculture, field service trucks, industrial work stations, printing, manufacturing, plumbing, construction. They are ideal for use on most hard surfaces including: painted walls, tools, work surfaces, signs, siding, bathroom partitions and more.



Part No.	Item No.	Container Size	Pack
143559	53104	80-8x12 Abrasive Wipes	8

Dynatex® All Purpose Hand Cleaner

All Purpose Hand Cleaner is a precisely formulated blend of surfactants, emulsifiers, and skin conditioners. The balanced mixture provides optimum cleaning potential for your hands without harshness or irritability. It's a creamy formula that liquefies and gently lifts grease, grime and stains from the hands safely with or without water. Dynatex® All Purpose Hand Cleaner leaves hands cleaned and conditioned without the greasy feeling and strong odors of competitive brands. Contains lanolin and skin care emollients to aid in healing rough, dry and overused hands.

Features:

Removes grease, grime, oils, soil, gasket cement, glues and inks, cleans with or without water, won't clog drains, contains lanolin to keep hands smooth, pleasant smelling, leaves hands smooth, not sticky, cleans without use of petroleum solvents, pumice free. Removes: Grease, stains, paint, tars, printer's ink, fish odors and much more.



Part No.	Item No.	Container Size	Pack
143561	53108	14 Oz. Squeeze Bottle	12



Anything is possible when you work as a team . . . Dynatex®

Available 2020



Dynatex's new Genius Spray packaging allows for truly versatile usage of their products. The two-function spray nozzle allows for both precise application, and standard spread extrusion. The head rotates a full 360°. The CO₂ propellant is non-flammable and allows for more active product in a smaller container.



PRODUCT CATALOG

WHERE TO BUY

